

Blade Lite

- BLD-LT-400-1 BLD-LT-920-1
- BLD-LT-600-1 BLD-LT-1000-1
- BLD-LT-800-1 BLD-LT-1200-1
- BLD-LT-850-1 BLD-LT-1500-1

Blade Lite is an attractive, sleek stand in anodized silver with chrome endcaps and a streamlined base design. With eight base widths to choose from, there is a Blade Lite to fit every space.



Blade Lite 400



Blade Lite 600



Blade Lite 800



Blade Lite 850



Blade Lite 920



Blade Lite 1000



Blade Lite 1200



Blade Lite 1500

features and benefits:

- Available in eight widths
- Variable height:
 - 400mm = standard 4 bungee pole height: 69.38"
 - 600mm: 69" - 83.25"
 - All other units: 60" - 83.25"
- Chrome end caps
- Weighted base for stability
- Comes complete with base, toolless quick rail, hybrid bungee/ telescoping pole (except for 400mm) and carry bag
- Adjustable leveling feet
- Protective foam padding in bag
- Lifetime limited hardware warranty against manufacturer defects

dimensions:

Hardware	Shipping
<p>Assembled unit:</p> <p>400mm: 17.75" w x 72.125" h x 8.6" d 451mm(w) x 1831mm(h) x 219mm(d)</p> <p>600mm: 25.5" w x 86" h x 8.6" d 648mm(w) x 2184mm(h) x 219mm(d)</p> <p>800mm: 33.46" w x 86" h x 8.6" d 850mm(w) x 2184mm(h) x 219mm(d)</p> <p>850mm: 35.43" w x 86" h x 8.6" d 890mm(w) 2184mm(h) x 219mm(d)</p> <p>920mm: 38" w x 86" h x 8.6" d 965mm(w) x 2184mm(h) x 219mm(d)</p> <p>1000mm: 41.34" w x 86" h x 8.6" d 1050mm(w) x 2184mm(h) x 219mm(d)</p> <p>1200mm: 49" w x 86" h x 8.6" d 1245mm(w) x 2184mm(h) x 219mm(d)</p> <p>1500mm: 61" w x 86" h x 8.6" d 1549mm(w) x 2184mm(h) x 219mm(d)</p>	<p>Shipping dimensions - ships in one box:</p> <p>400mm: 22" l x 10" h x 5" d 600mm: 30" l x 10" h x 5" d 800mm: 37" l x 10" h x 5" d 850mm: 39" l x 10" h x 5" d 920mm: 42" l x 10" h x 5" d 1000mm: 45" l x 10" h x 5" d 1200mm: 54" l x 10" h x 5" d 1500mm: 65" l x 10" h x 5" d</p> <p>Approximate shipping weight:</p> <p>400mm: 6 lb / 2.72 kg 600mm: 7 lb / 3.18 kg 800mm: 11 lb / 5 kg 850mm: 11 lb / 5 kg 920mm: 12 lb / 4.98 kg 1000mm: 12 lb / 4.98 kg 1200mm: 15 lb / 6.8 kgs 1500mm: 19 lb / 8.6 kg</p>
	<p>Graphic</p> <p>Refer to related graphic template for more information</p> <p>Visit: www.exhibitors-handbook.com/graphic-templates</p>

additional information:

Graphic materials:
flatmaxx vinyl or Premium opaque fabric

- 400mm graphic heights:
- 1 pole = 17.88"
 - 2 poles = 34.89"
 - 3 poles = 52.38"
 - 4 poles (standard) = 69.38"
- (cut the bungee cord for variable heights)

Lumina 2 LED Spot banner lighting options

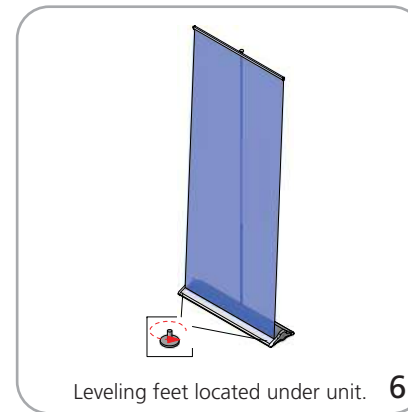
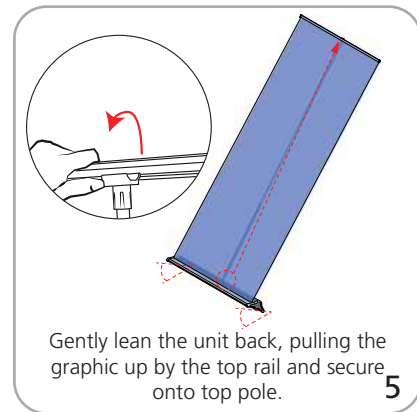
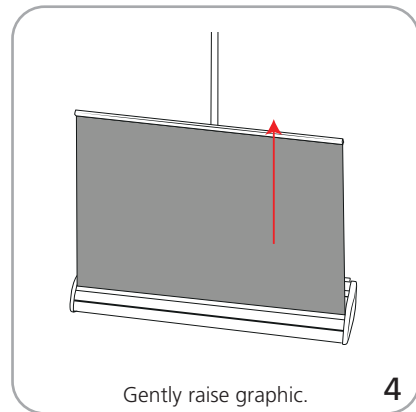
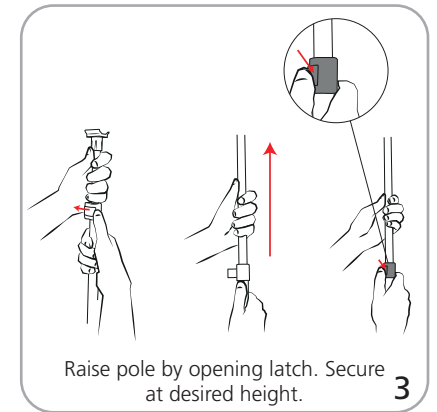
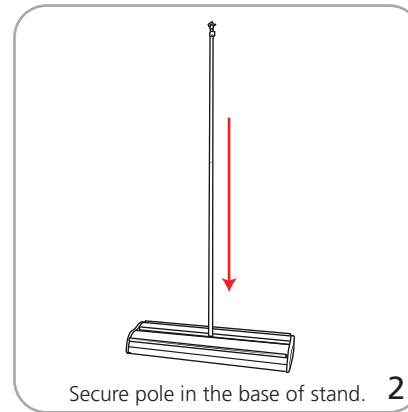
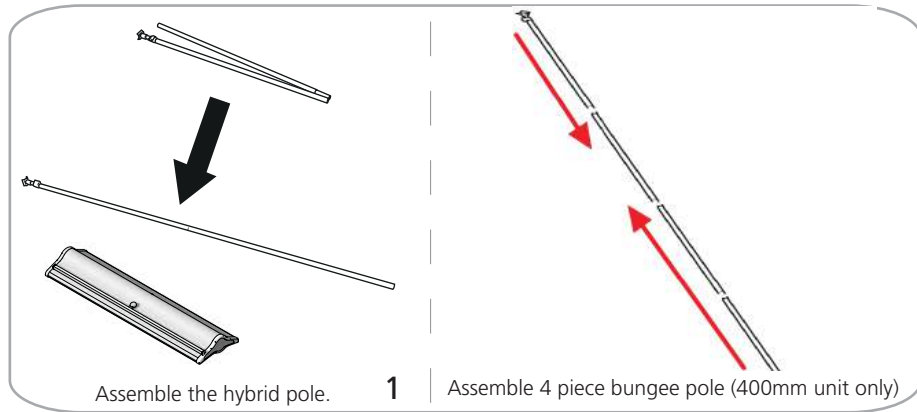


Lumina 2

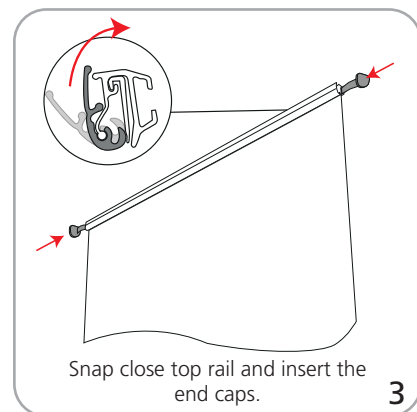
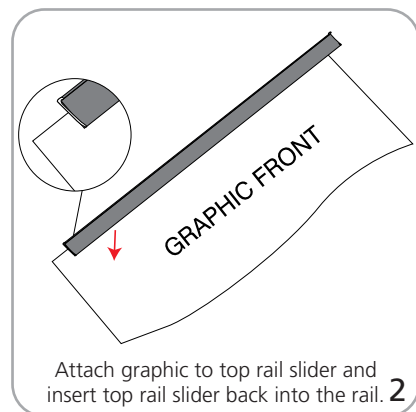
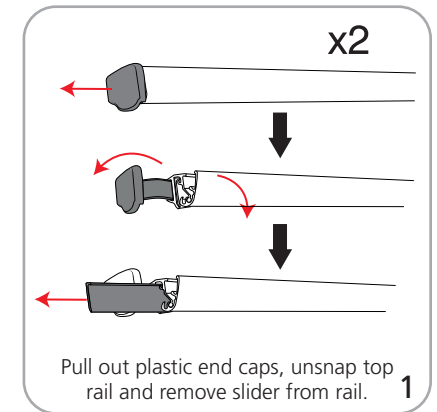
LED Spot

We are continually improving and modifying our product range and reserve the right to vary the specifications without prior notice. All dimensions and weights quoted are approximate and we accept no responsibility for variance. E&OE. See Graphic Templates for graphic bleed specifications.

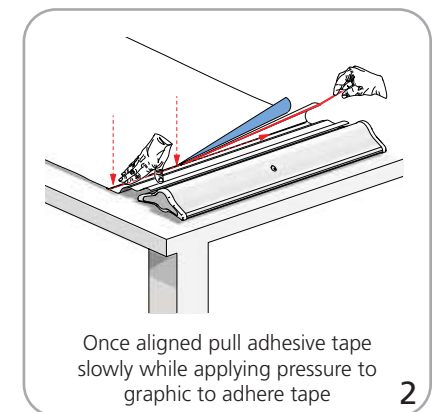
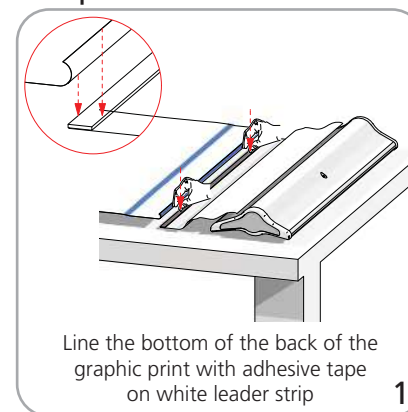
Blade Lite set-up



Graphic to top rail attachment



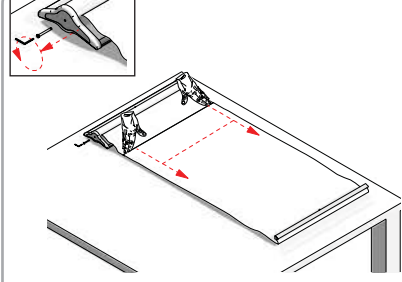
Graphic to base attachment





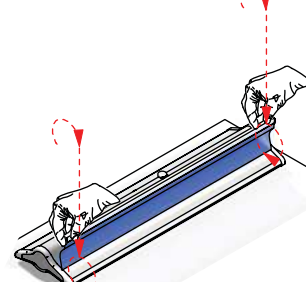
Place additional masking tape to the back of the graphic for extra protection

3



Remove pin while holding onto the graphic so the graphic does not retract back in quickly

4



Slowly retract the graphic back into the base

5