

# Formulate 20' Straight

## FMLT-WS20-01

Formulate™ 20' Master Straight backwall incorporates a sleek, straight aluminum frame with a zipper pillowcase fabric graphic to create a sharp, bold backwall that clearly conveys who you are and what you do. Print on just one side or both sides of the graphic to maximize your message and brand exposure.



### features and benefits:

- State-of-the-art 30mm aluminum tubing with heavy duty internal spigot connectors
- Easy to store and ship
- Quick to set up
- Kit includes: one frame, one dye-sublimated zipper pillowcase graphic, and 2 wheeled molded storage cases
- Lifetime hardware warranty against manufacturer defects

### dimensions:

Hardware

Graphic

Assembled unit:  
227.94" w x 92.33" h x 25.59" d  
5790mm(w) x 2346mm(h) x 650mm(d)

Approximate weight (includes graphic):  
75 lbs / 34 kg

Refer to related graphic template for more information.

Visit:  
<https://www.theexhibitorshandbook.com/download-graphic-templates>

Shipping

### additional information:

Packing case(s):  
2 OCE

OCE: Expandable case length (l) may vary  
40" - 66" l x 18" h x 18" d  
1016mm-1677mm(l) x 458mm(h) x 458mm(d)

Approximate shipping weight (with case):  
129 lbs / 59 kg

Graphic material:  
Dye-sublimated zipper pillowcase fabric

Optional accessories:  
Lumina 8-50 watt halogen lighting,  
literature pocket, stand-off literature rack,  
stand-off graphic shelf, graphic header,  
larger freight cases

We are continually improving and modifying our product range and reserve the right to vary the specifications without prior notice. All dimensions and weights quoted are approximate and we accept no responsibility for variance. E&OE. See Graphic Templates for graphic bleed specifications.

# Included In Your Kit

Tools, Components, Connectors, Tubes & Graphics



5MM ALLEN-T x1



LN114-SCRW x2



PLT-BP-LN114-S2-650 x2



TC-30-S x3



ES50 x2



ES50-2W x2



ES50-I-ES50-C-ASY x2



TC-30-D-ES50-S-ASY x5



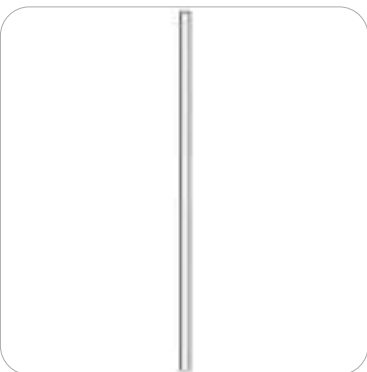
TC-30-D-ES50-S-ASY-2 x1



WS20-01-T1 x8



WS20-01-T2 x4



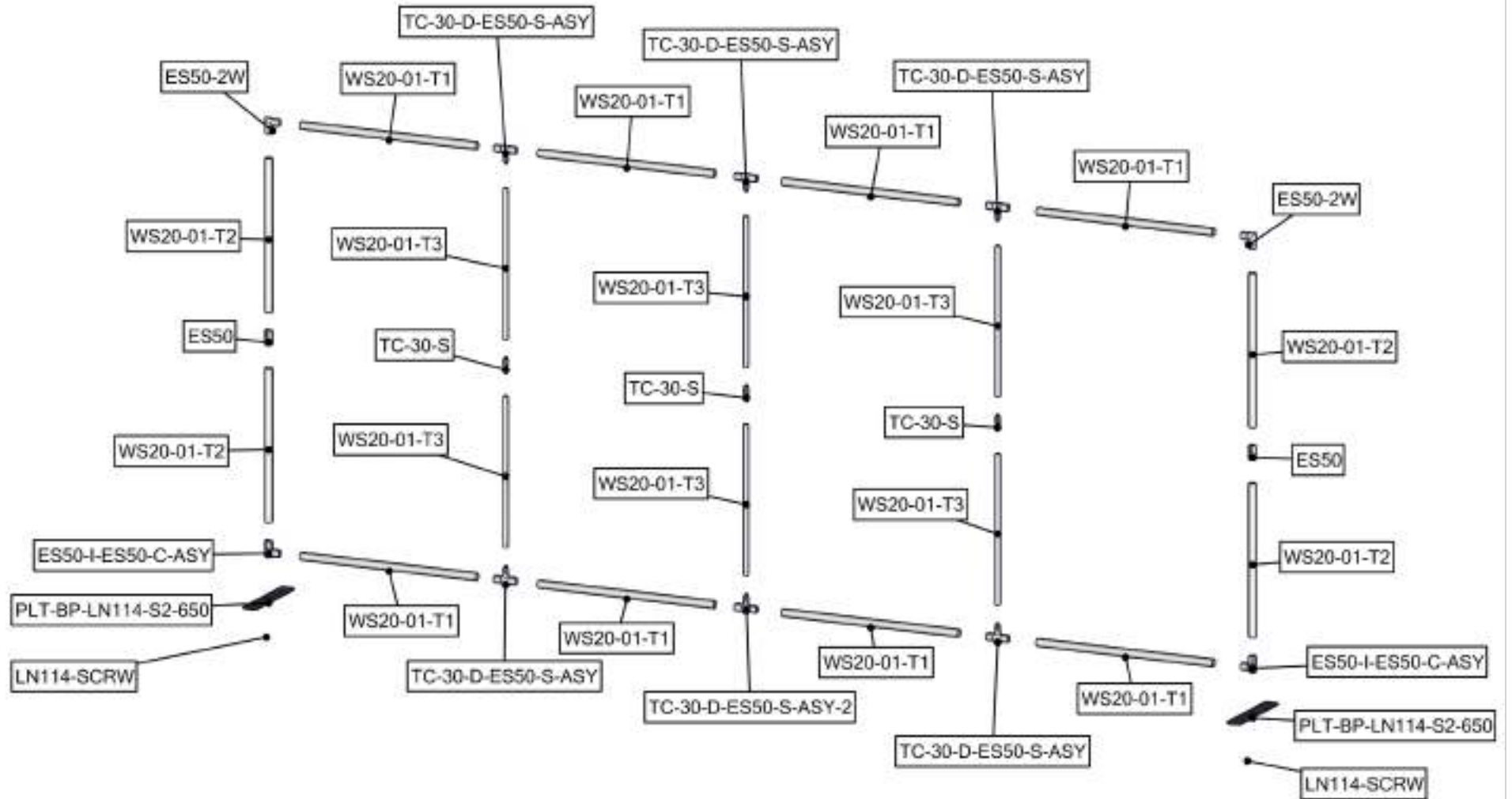
WS20-01-T3 x6



FMLT-WS20-01-G x1

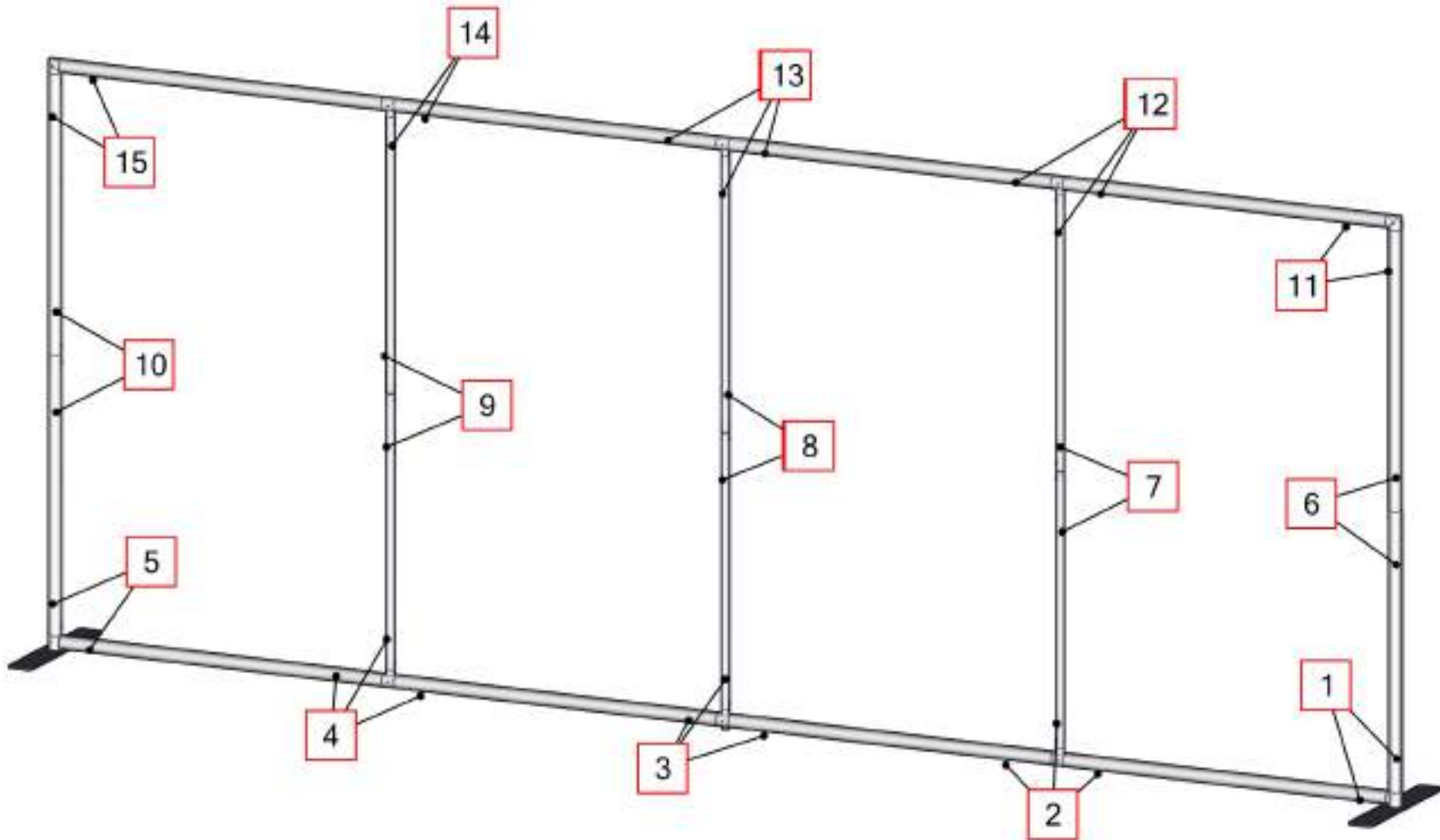
# Exploded Diagram

FMLT-WS20-01



# Labeling Diagram

FMLT-WS20-01



# Connection Methods

## Connection Method 1: ES50-2W Spigot Connectors



Compress one unlocked end of the connector and slide it through one tube end. Compress the other end of the connector and slide the second tube on. Lock both screws carefully using your allen key tool. Be sure to lock securely, but do not over tighten.

## Connection Method 2: ES50



For spigot connections, compress the unlocked connector and slide into the tube lock access hole. Lock both screws carefully using your allen key tool. Be sure to lock securely, but do not over tighten. Do not force the connection and be careful with the tube edges, they may be sharp. To disassemble, unlocked connector press the snap button and pull apart.

## Connection Method 3: TC-30-S



Take the plastic connector and make sure the snap buttons are in proper position for the frame tube holes. Simply press the snap button with your thumb and carefully slide the tube onto the connector. The snap button should pop through. Some twisting may be necessary to assure the snap button has popped all the way through the tube hole. Do not force the connection and be careful with the tube edges, they may be sharp.

## Connection Method 4: Stabilizing Plate



First, loosen the set screw that is on the PLT-BP-LN114, then attach the base plate with the LN114-SCRW insert. Once the base plate is in the desired position, fasten the set screw to hold the insert in place.

# Connection Methods

Connection Method 5: ES50-2W



Compress one unlocked end of the connector and slide it through one tube end. Compress the other end of the connector and slide the second tube on. Lock both screws carefully using your allen key tool. Be sure to lock securely, but do not over tighten.

Connection Method 6: 30-D-ES50



For connections, Compress one unlocked end of the connector and slide it through one tube end. Compress the other end of the connector and slide the second tube on. Next, Slide 30mm tube down onto TC-30-D-ES50-S-ASY (pictured in the "included in your kit" section above), til snap into place.

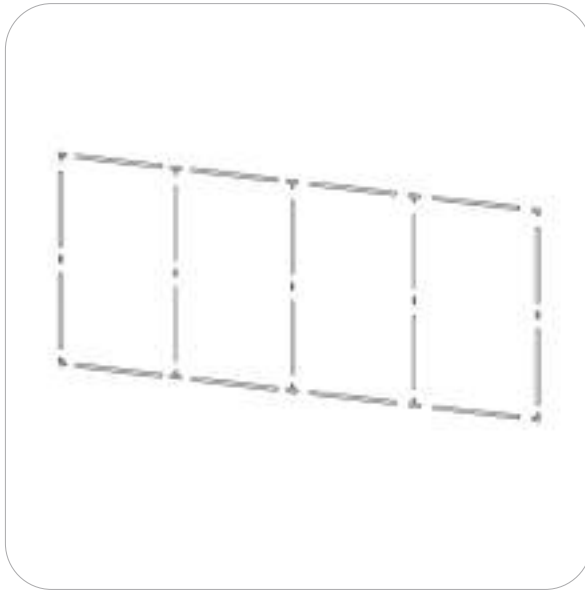
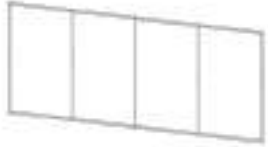
# Kit Assembly

## Step by Step

### Step 1.

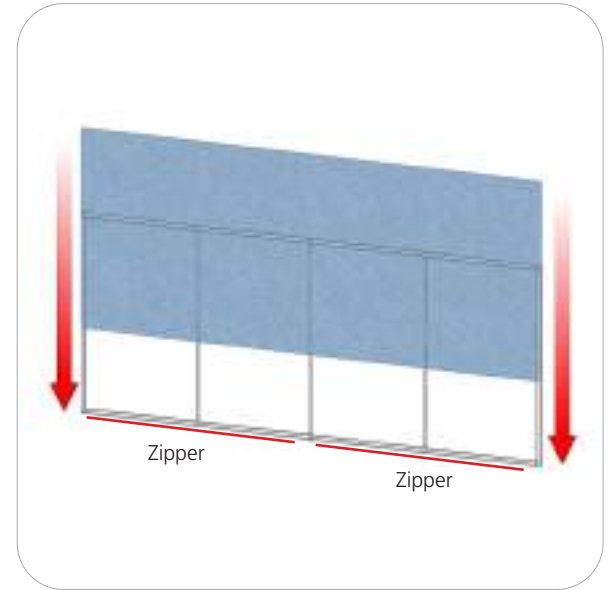
Gather the components to build the frame. Use the Exploded View and the Labeling Diagram for part labels.

Reference Connection Method(s) 1, 2 and 3 for more details.



### Step 2.

Pull the pillowcase graphic over the frame and zipper it closed at the bottom.



### Step 3.

Gather the components to stand the frame. Use the Exploded View for part labels.

Reference Connection Method(s) 4 for more details.



### Step 4.

Setup is complete.

