

# Hybrid Pro Rental Kit: Hybrid Pro Modular Kit 21

---

## TEMPLATE @ 1/2 SIZE

Dye Sub Graphic Panels A and E

Total Graphic Area: 31.5" w x 98.375" h

Finished Graphic Area: 27.5" w x 94.375" h

Dye Sub Graphic Panel B and D

Total Graphic Area: 27.75" w x 98.375" h

Finished Graphic Area: 23.75" w x 94.375" h

Dye Sub Graphic Panel C

Total Graphic Area: 110.875" w x 98.375" h

Finished Graphic Area: 106.875" w x 94.375" h

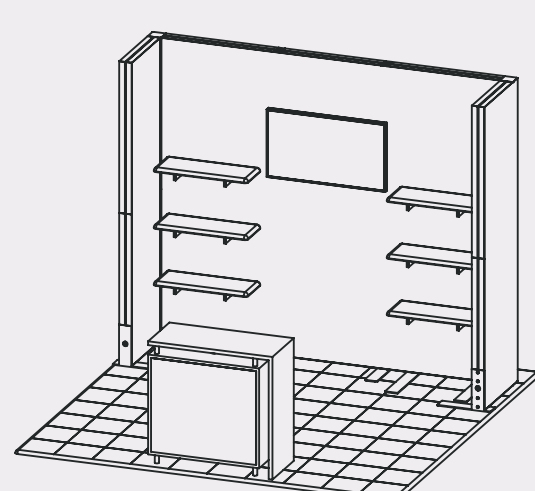
Please be sure to include a 2" bleed around the perimeter of the center graphic.

Please consider obstructions and spaces created by the extrusions when designing your graphics.

## General Art Guidelines:

---

- CMYK Color Mode
- All Solid Coated Pantone colors should be called out in the art as spot colors
- Embed all images and support files
- Resolution must be 200-240 ppi @ 1/2 size, 100-120 ppi @ full size
- All fonts must be created to outlines
- Do not scale artboard
- Background color/images must bleed to the edge of artboard
- Do not use spot colors from template in your artwork as they will not print



PANEL A



PANEL B

REPRESENTS  
OBSTRUCTION ONLY

PANEL C



PANEL D

PANEL E

bleed area —  
trim line —  
safe zone —