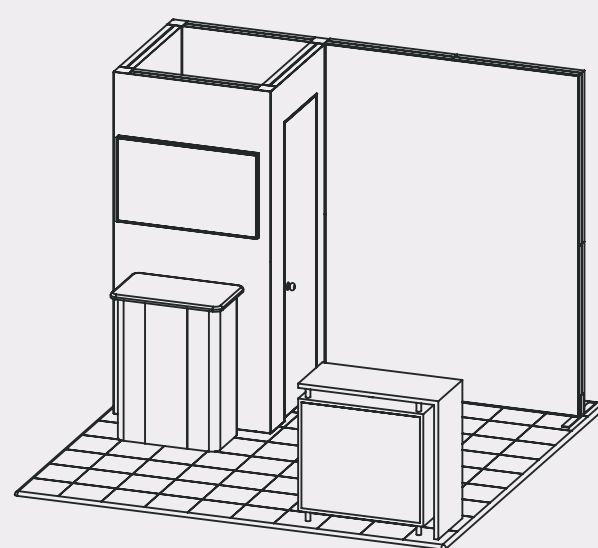


Hybrid Pro Rental Kit: Hybrid Pro Modular Kit 24



TEMPLATE @ 1/2 SIZE

Dye Sub Graphic Panels A and B

Total Graphic Area: 47.6875" w x 98.375" h

Finished Graphic Area: 43.6875" w x 94.375" h

Dye Sub Graphic Panel C (door perimeter panel)

Total Graphic Area: 47.4375" w x 98.375" h

Finished Graphic Area: 43.4375" w x 94.375" h

Dye Sub Graphic Panel D (door panel)

Total Graphic Area: 27" w x 85.375" h

Finished Graphic Area: 23" w x 81.375" h

Dye Sub Graphic Panel E

Total Graphic Area: 74.75" w x 98.375" h

Finished Graphic Area: 70.75" w x 94.375" h

Please be sure to include a 2" bleed around the perimeter of the center graphic.

Please consider obstructions and spaces created by the extrusions when designing your graphics.

General Art Guidelines:

- CMYK Color Mode
- All Solid Coated Pantone colors should be called out in the art as spot colors
- Embed all images and support files
- Resolution must be 200-240 ppi @ 1/2 size, 100-120 ppi @ full size
- All fonts must be created to outlines
- Do not scale artboard
- Background color/images must bleed to the edge of artboard
- Do not use spot colors from template in your artwork as they will not print

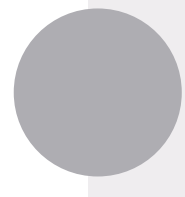
PANEL A

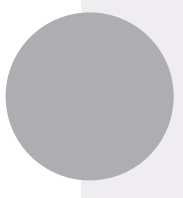
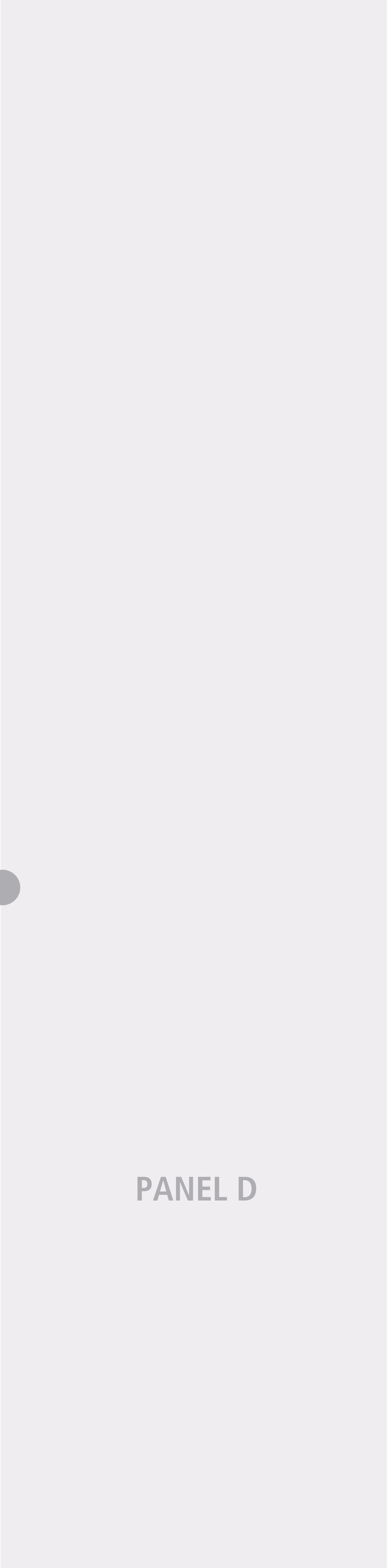
**REPRESENTS
OBSTRUCTION ONLY**

PANEL B

PANEL C

PANEL D





PANEL D

PANEL E

bleed area
trim line
safe zone